

# Aqua-Pure®

Spec # \_\_\_\_\_

Quantity \_\_\_\_\_

## Models:

**CWS100ME/CWS100MEJ/CWS100MECJ**  
**CWS150ME/CWS150MEJ/CWS150MECJ**  
**CWS200ME/CWS200MEJ/CWS200MECJ**  
**CWS300ME/CWS300MEJ/CWS300MECJ**

## Water Softeners

### Applications:

- Hard Water
- Moderate Soluble Metals

### At a Glance:

- Luxury water at an affordable price
- The latest technology that improves reliability
- Meets California Salt Efficiency Standards (4,000 grains/lb. of salt)



CWS Series

### Product Benefits:

- Extremely easy to use state of the art water softening valve
- Patented one-piece resin tank with no glue joints or heat welded seams to crack
- Superior performance brine tank featuring a durable, long-lasting design which provides virtually trouble-free operation with patented salt shelf
- Engineered system design helps provide long-term operation. Quality factory support and service available

### Product Dimensions:

Model No.	Mineral Tank	Brine Tank	Minimum Space Requirements		
	D x H	W x D x H	Width	Height	Depth
			A	B	C
CWS100ME / CWS100MEJ / CWS100MECJ	8" x 44" (21 cm x 112 cm)	15" x 15" x 34" (38 cm x 38 cm x 87 cm)	33" (84 cm)	53" (135 cm)	15" (38 cm)
CWS150ME / CWS150MEJ / CWS150MECJ	10" x 44" (26 cm x 112 cm)	15" x 15" x 34" (38 cm x 38 cm x 87 cm)	35" (89 cm)	53" (135 cm)	15" (38 cm)
CWS200ME / CWS200MEJ / CWS200MECJ	10" x 54" (26 cm x 138 cm)	15" x 15" x 34" (38 cm x 38 cm x 87 cm)	35" (89 cm)	63" (160 cm)	15" (38 cm)
CWS300ME / CWS300MEJ / CWS300MECJ	14" x 65" (36 cm x 165 cm)	18" x 33" round (46 cm x 84 cm) round	42" (107 cm)	74" (188 cm)	18" (46 cm)



Spec # \_\_\_\_\_

Quantity \_\_\_\_\_

Model Number \_\_\_\_\_

Part Number \_\_\_\_\_

**Physical Specifications:**

Category	Model			
	CWS100ME CWS100MEJ CWS100MECJ	CWS150ME CWS150MEJ CWS150MECJ	CWS200ME CWS200MEJ CWS200MECJ	CWS300ME CWS300MEJ CWS300MECJ
Media in cu. ft. (liters)	1.0 (28)	1.5 (42)	2.0 (57)	3.0 (85)
Salt Dosage* lbs. (kg)	4.0 (1.81)	6.0 (2.72)	8.0 (3.63)	12.0 (5.44)
	6.0 (2.72)	9.0 (4.08)	12.0 (5.44)	18.0 (8.16)
	15.0 (6.80)	24.0 (10.89)	24.0 (10.89)	45.0 (20.41)
Softening Capacity** (grains)	16,300	24,150	34,100	51,100
	21,600	32,000	45,000	67,600
	28,500	43,000	56,800	87,800
Flow Rates Service: 15 psid	11.0 gpm (41.6 lpm)	14.3 gpm (54.1 lpm)	13.5 gpm (51.1 lpm)	18.5 gpm (70.0 lpm)

\* Salt Dosage: Top row indicates salt efficient setting, second row indicates factory setting and third row indicates maximum setting with the supplied brine tank

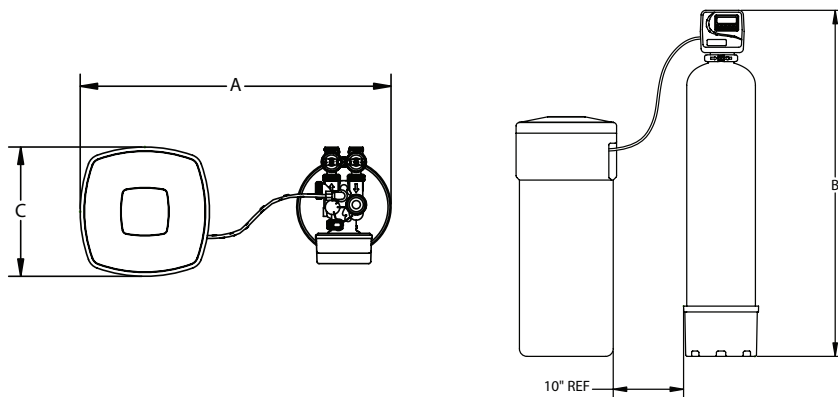
\*\* Softening Capacity: Top row indicates salt efficient setting, second row indicates factory salt setting and third row indicates maximum salt setting with the supplied brine tank

**NOTE:** CWS softeners have been tested by an independent lab for conformance to NSF/ANSI Standard 44 for specific performance claims. These softeners meet or exceed California Salt Efficiency requirements when salt dose is set at the salt efficient setting. Efficiency claim is only valid at the salt efficiency setting.

**Maximum Operating Temperature:** 110°F (43.3°C)  
**Operating Pressure:** 20 - 100 psi (137.9 - 689.5 kPa)

**Electrical Requirements:** 110/120V, 60Hz  
**Pipe Size:** 1" NPT

**Typical Installation:**



**CAUTION:** This diagram shown is for reference purposes only. To reduce the risk of property damage due to water leakage, read installation and operation manual prior to installing the unit.

Distributed by:

3M is a trademark of 3M Company.  
 CUNO and Aqua-Pure are trademarks of 3M Company used under license.  
 © 2009 3M Company. All rights reserved.  
 LITAP880 0609  
 70-0201-9309-3



**CUNO Incorporated**  
 400 Research Parkway  
 Meriden, CT 06450 U.S.A.  
 Toll Free: 1.800.222.7880  
 Worldwide: 203.237.5541  
 Fax: 203.238.8701  
 www.aquapure.com • www.cuno.com